

The COMPANION

PORTABLE GUN STORAGE & HUNTING KENNEL



The Secure Weatherproof Storage System For All Your Hunting Adventures



Designed to fit full-size pickup trucks

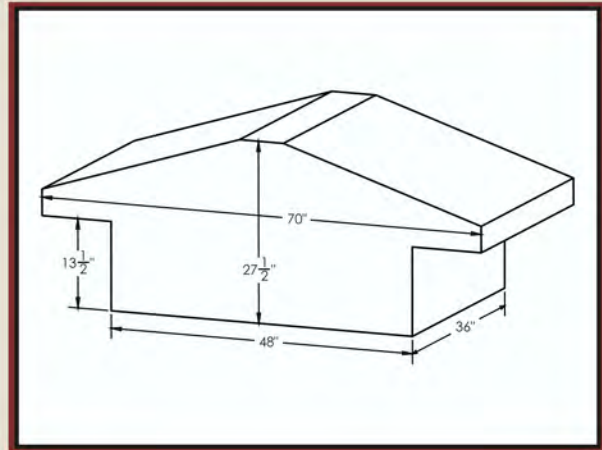
Unit is constructed of fiberglass with a white gel coat exterior on the top and kennel doors for easy clean up

The hardware is all corrosion proof stainless steel and aluminum; all four doors keyed alike

2 point lift system makes it easy to put the unit in and take it out of your truck

Mounting brackets secure the unit to the pickup bed rails

Dog Kennel Compartments



- Kennel Dimensions: 31" deep x 23" wide x 17" tall
- White gel coat finish inside the dog kennels for easy clean up
- Drain holes in each kennel
- Stainless steel locking paddle handles on dog kennel doors
- Circular vents open and close to provide ventilation
- Weatherstripping around kennel door opening

Top Compartments



Driver Side View (left) Passenger Side View (right)

- Chrome plated locking T-Handles on top doors keyed alike
- Automotive weatherstrip seals compartments for water and dust proofing
- Stainless steel hinges and aluminum hardware
- Automatic on/off LED lighting in the top compartments
- Holds 4 shotguns or rifles in rubberized scratch resistant compartments
- Holds 12 boxes of shotgun shells 20ga - 12 ga 3 1/2"
- Store binoculars, duck calls, hand guns, hats, gloves, dog food and water, and anything else you can think of
- Accessory storage compartment dimensions:
 - 2 @ 3 1/2" x 10"
 - 2 @ 17" x 10"
 - 1 @ 19" x 4 3/4"
 - 1 @ 19" x 10"

CustomFiberglass
COACHES

Custom Fiberglass Coaches
313 South Hancock
Lake City, Iowa 51449

TF 800-831-0960 F 712-464-8601

www.customfiberglasscoaches.com
steve@customfiberglasscoaches.com